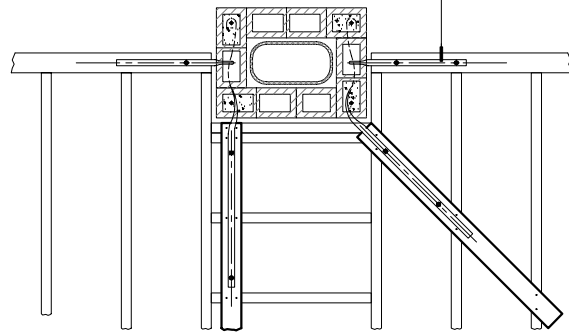


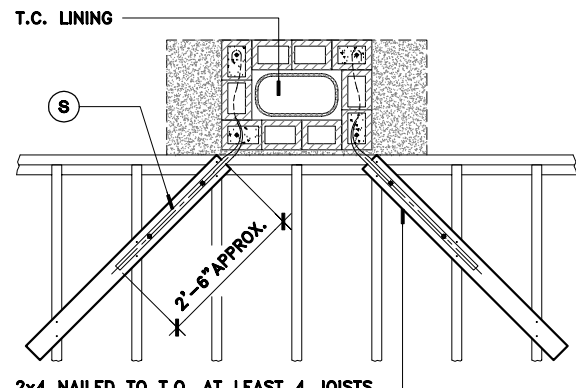
FIREPLACE PLAN 1

WHERE PLATES ARE CUT, ANCHOR TO CHIMNEY BY 3/16"x1" STL. STRAPS HOOKED INTO CHIMNEY AND ATTACHED TO PLATES BY (2)-1/2" # A.B.

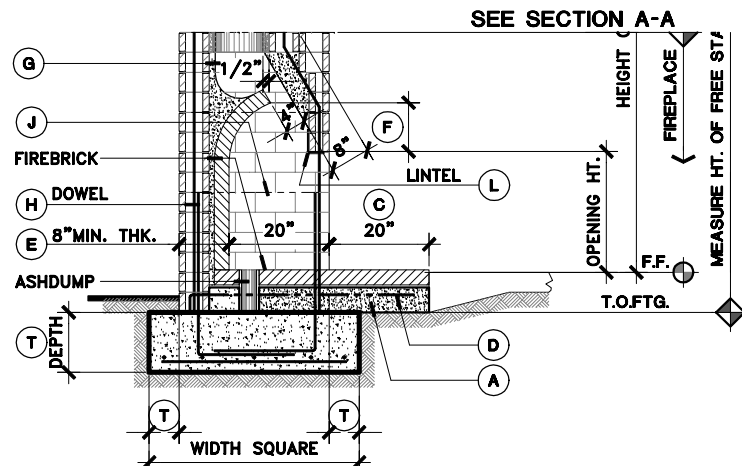


NOTE:
IF CHIMNEY INSIDE A HOUSE, PASSES THRU. THE ROOF AND IS COMPLETELY SURROUNDED BY ROOF DIAPHRAGM, NO SPECIAL ANCHORS NEED BE PROVIDED. THE CHIMNEY WOULD BE SUPPORTED BY THE ROOF DIAPHRAGM IN THE EVENT IT IS SUBJECTED TO LATERAL FORCES.

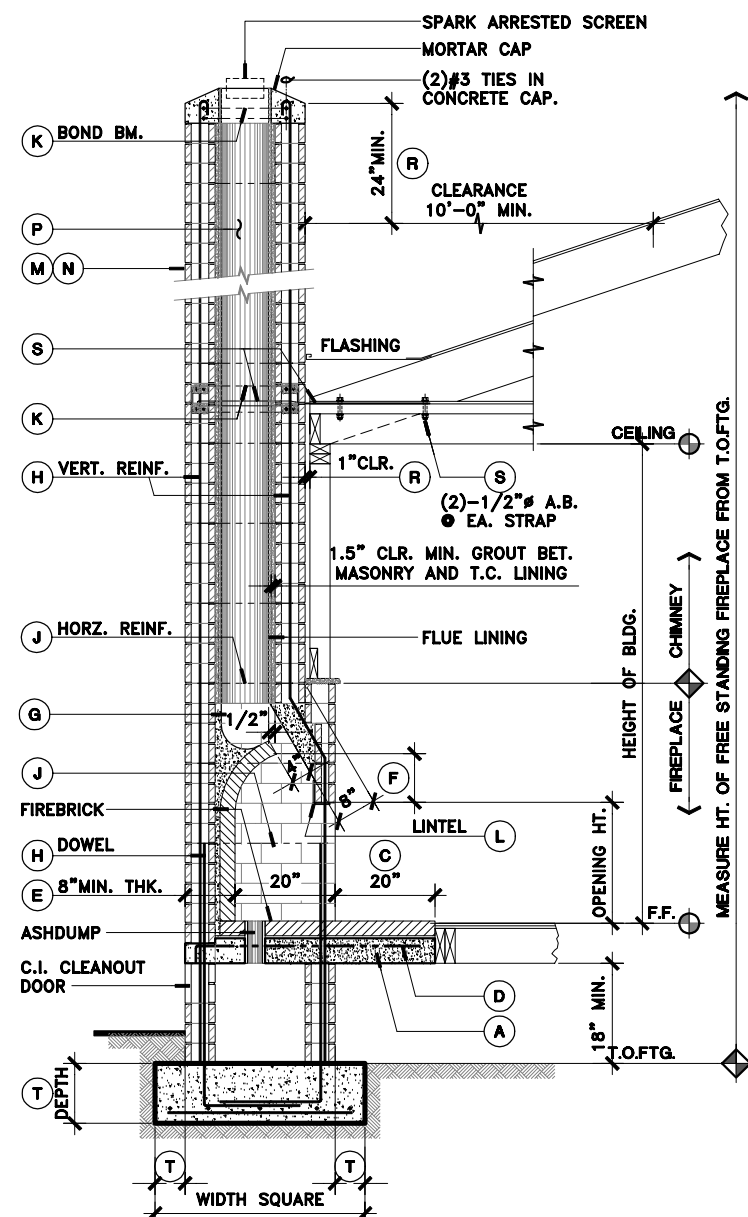
CHIMNEY AND CUT PLATE ANCHORAGE 2A



CHIMNEY AND ANCHORAGE PLAN 2



BRICK FIREBOX AND CHIMNEY SECTIONAL SIDE VIEW ON CONCRETE SLAB B



BRICK FIREBOX AND CHIMNEY SECTIONAL SIDE VIEW ON WOOD FLOOR A

MASONRY FIREPLACE CONSTRUCTION:

U.B.C. 1997 VOL.1 CHAPTER 31 REQUIREMENTS

KEY	DESCRIPTIONS	REQUIREMENTS
A	HEARTH SLAB	THICKNESS 4"
B	HEARTH EXTENSION (EA. SIDE)	8" F/P OPENING < 6 SQ.FT. 12" F/P OPENING > OR = 6 SQ.FT.
C	HEARTH EXTENSION (FRONT)	16" F/P OPENING < 6 SQ.FT. 20" F/P OPENING > OR = 6 SQ.FT.
D	HEARTH SLAB REINF.	REINFORCED TO CARRY ITS OWN WEIGHT AND ALL IMPOSED LOADS
E	FIREBOX WALLS	THICKNESS: 10" COMMON BRICK OR 8" WHERE A FIREBRICK LINING IS USED. (FIREBRICK JOINTS 1/4" MAX.)
F	OPENING TO THROAT	DISTANCE FROM TOP TO THROAT 8" RECOMMENDED
G	SMOKE CHAMBER 1.5" OFFSET	EDGE OF SHELF - REAR WALL THICKNESS 6" FRONT & SIDE WALL THICKNESS 8"
G	CHIMNEY REINFORCING VERTICAL	(4)-#4 FULL-LENGTH BARS FOR CHIMNEY UP TO 40" WIDE AND (2)-#4 FOR EA. ADD 40" OF FRACTION OF WIDTH OR ADDITIONAL FLUE
J	HORIZON. REINFORCING	1/4" TIES @ 18" O.C. AND TWO TIES @ BEND IN VERTICAL STEEL
K	BOND BEAMS	(2) #3 TIES @ T.O. BOND BM. 4" HT. & (2) #3 TIES @ ANCHORAGE
L	FIREPLACE LINTEL	NONCOMBUSTIBLE MATERIAL
M	WALLS WITH FLUE LINING	BRICK WITH GROUT AROUND LINING 4" MIN. FROM FLUE LINING TO OUT SIDE OF FACE OF CHIMNEY.
N	WALL-UNLINED FLUE	8" SOLID MASONRY
O	DISTANCE BET. ADJACENT FLUES	4" INCLUDING FLUE LINER
P	EFFECTIVE FLUE AREA (BASED ON AREA F/P OPEN'G)	ROUND LINING: 1/12 OR 50 SQ.IN.MIN. RECTANGULAR LINING: 1/10 OR 64 SQ.IN.MIN. UNLINED OR FIREBRICK: 1/8 OR 100 SQ.IN..MIN.
R	CLEARANCES	WOOD FRAME: 1" WHEN OUTSIDE OF WALL 2" WHEN ENTIRELY WITHIN STRUCTURE COMBUSTIBLE MAT: 6" MIN. TO F/P OPEN'G - 12" FROM OPEN'G WHEN MATERIAL PROJECTING > 1/8 FOR EACH 1" ABOVE ROOF: 2'-0" @ 10'-0" (SEE U.B.C. TABLE 31-B)
S	ANCHORAGE:	(2)-STRAP 3/16"x1" W/ (2)-1/2" # FASTENED TO 4 JOISTS AND EMBEDDED 12" HOOKED AROUND OUTER BAR W/6" EXTENDED.
T	FOOTING	12" DEPTH W/ 6" MIN. EXTENDED EACH SIDE OF FIREPLACE WALLS

PROJECT :
FIREPLACE CONSTRUCTION

SITE ADDRESS:

Permit No:

Rev.: MARCH 2001

DWG. No.: 284
Sheet 1 of 1

Issued by:

Appr.by: KS Drawn By:LTN

Date:

[89A]

89A