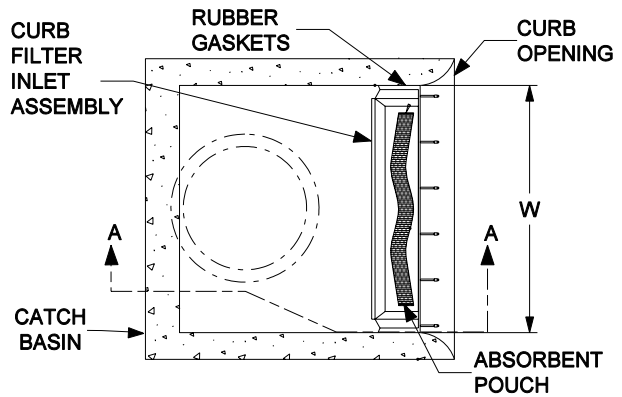


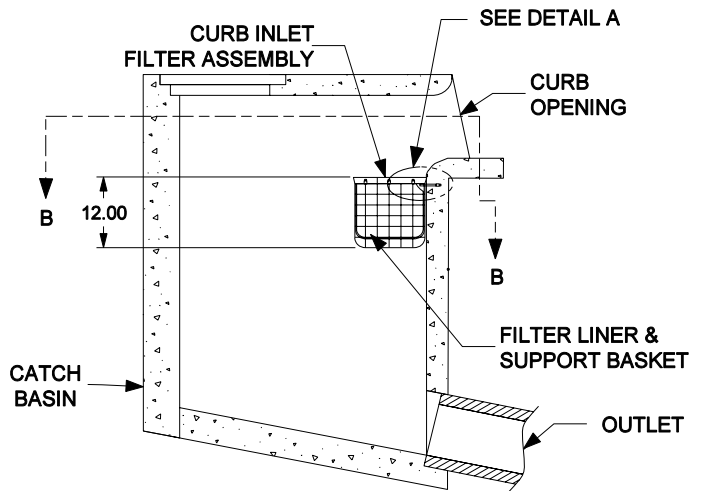
DETAIL A
MOUNTING BRACKET &
EXPANSION BOLTS
SEE NOTE 4



DETAIL B-B
TOP
VIEW

NOTE:

1. FILTER INSERTS SHALL BE INSTALLED ACROSS THE ENTIRE WIDTH OF THE CURB OPENING, NO GAPS ALONG CURB OPENING SHALL BE PERMITTED.
2. FILTER SUPPORT FRAME SHALL BE CONSTRUCTED FROM STAINLESS STEEL TYPE 304.
3. FILTER LINER SHALL BE CONSTRUCTED FROM DURABLE POLYPROPYLENE, WOVEN, MONOFILAMENT, GEOTEXTILE. FILTER LINER SHALL NOT ALLOW THE RETENTION OF WATER BETWEEN STORM EVENTS. DRAINAGE SHALL BE OUT OF THE BOTTOM OF THE FOSSIL FILTER.
4. FILTER INSERT SHALL BE ATTACHED TO THE CATCH BASIN WITH STAINLESS STEEL EXPANSION ANCHOR BOLTS & WASHERS (3/8" X 2-1/2" MINIMUM LENGTH).
5. FILTER INSERTS SHALL BE AVAILABLE IN STANDARD LENGTHS OF 24", 30", 35", 42" & 48" AND MAY BE INSTALLED IN VARIOUS LENGTH COMBINATIONS (END TO END) TO FIT LENGTH OF NOTED CATCH BASIN
6. FILTER INSERTS AND FILTER MEDIUM POUCHES MUST BE MAINTAINED IN ACCORDANCE WITH MANUFACTURER RECOMMENDATIONS.
7. FILTER INSERTS SHALL BE DESIGNED WITH A DEBRIS TRAP FOR THE RETENTION OF FLOATABLES AND COLLECTED SEDIMENTS.
8. FILTER INSERTS SHALL BE SUPPLIED WITH "CLIP-IN" FILTER POUCHES UTILIZING FILTER MEDIUM FOR THE COLLECTION AND RETENTION OF PETROLEUM HYDROCARBONS (OILS & GREASES).



DETAIL A-A
SIDE
VIEW

NOT TO SCALE

APPROVED BY:

George A. Johnson
DIRECTOR OF TRANSPORTATION
GEORGE A. JOHNSON, RCE 42328

DATE: 05/01/07



COUNTY OF RIVERSIDE

FOSSIL FILTER

STANDARD NO. 300A

REVISIONS	REV.	BY:	APR'D	DATE	REV.	BY:	APR'D	DATE
2-90, 11-04	1				4			
	2				5			
	3				6			